

# TI2007-834

## Dual DC Power NATO Cable Assembly Y-Cable Assembly



**Power Anytime, Anywhere**

The Tesla™ NATO to Dual DC is constructed from a rugged combination of advanced composite materials and corrosion-resistant alloys, and features Tesla's NATO Plug. Y-Cable Assembly has a 25ft. 4Ø cable to a sealed connection box branching out to Dual DC with 4ft. 4Ø cables.

This Y-Cable Assembly is perfect to use any two GPU's or MPU's to combine power sources to have the extra power required to complete the mission.



### Features:

- 30' Cable Assembly
- Rated to 3000 peak amps
- Maintenance-free design
- UV, fuel, fungus, oil, and water resistant
- Manufactured by Tesla™
- 2 Year Warranty

**Tesla™** Industries, Inc.

[www.teslaind.com](http://www.teslaind.com) ♦ [www.tesla1.com](http://www.tesla1.com)

Email: [tesla1@teslaind.com](mailto:tesla1@teslaind.com)

**Headquarters:** (302) 324-8910

101 Centerpoint Blvd. New Castle, DE 19720

**Western Regional Office:** (775) 622-8801

9475 Double R Blvd. Suite 2, Reno, NV 89521

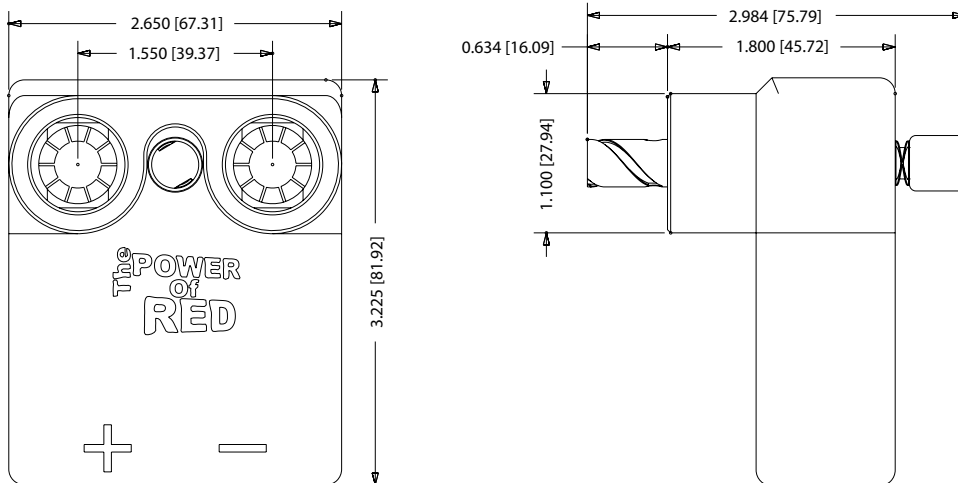
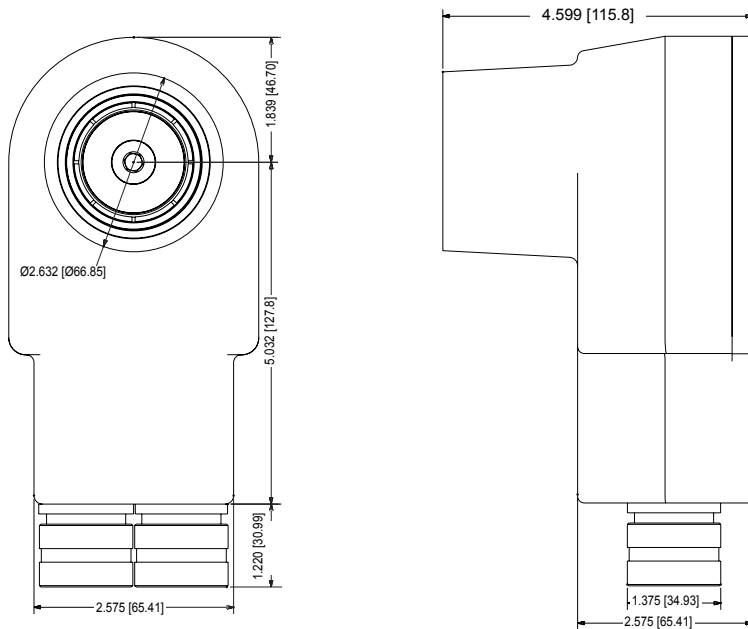


**The POWER  
Of  
RED™**



# Dimensions and Technical Specifications

\* All dimensions are in inches [millimeters]



## Technical Specifications:

Rated Voltage	12 - 32 Vdc
Peak Current	3000 A
Rated Current	1500 A
Operating Temperature	-40 °C - 110 °C (-40 °F - 230 °F)
Storage Temperature	-65 °C - 125 °C (-85 °F - 257 °F)
Weight	50.5 lbs. (22.9 kg)
Warranty	2 years (3 years optional)