

# TI2005-129

## Cobra Compact NATO Plug

NSN: 5935-01-523-8368



Power Anytime, Anywhere

The Tesla™ Cobra Compact NATO Plug fits into tight spaces, yet can handle as much power as a full-size Tesla™ Cobra NATO Plug. Constructed from a rugged combination of advanced composite materials and corrosion-resistant alloys, the NATO plug will withstand the harshest battlefield conditions and other extreme environments. Along with highly conductive contact materials, the virtually indestructible design and fast “in-the-field” component replacement make it the last NATO plug you will ever need.

### Features:

- Rated to 3000 peak amps
- Clamped cable connections
- UV, fuel, fungus, oil, and water resistant
- Easy component replacement
- Tested to withstand 50 G of shock
- Exceeds MIL-STD-810
- Manufactured by Tesla™
- 2 Year Warranty



Tesla™ Industries, Inc.

[www.teslainsd.com](http://www.teslainsd.com)

Email: [tesla1@teslainsd.com](mailto:tesla1@teslainsd.com)

**Headquarters:** (302) 324-8910

101 Centerpoint Blvd. New Castle, DE 19720 USA

**Western Regional Office:** (775) 622-8801

9475 Double R Blvd. Suite 2, Reno, NV 89521 USA



The POWER  
Of  
RED™



# Features and Benefits

## Weatherproof Construction

Through a series of strategically placed seals and bushings, the Cobra Compact NATO Plug is hermetically sealed to lock out rain, snow, sand and other harmful debris.

## Internal Cable Connections

Unlike plugs with cables that are molded directly to the housing, easily accessible lugs allow for direct termination inside of the plug. Additionally, compression grommets and bushings provide strain relief. This unique combination of protection eliminates dangerous shocks from exposed wiring due to cable stretching and splicing.

## Rugged, Durable, Reliable

Made from virtually indestructible composite materials, the plug housing won't crack, melt, blister, dry-rot or disintegrate. This, in conjunction with corrosion resistant conductors, insures that the Tesla™ Compact NATO Plug will still be in the field long after other plugs have failed.

## Replaceable Contacts

Manufactured from highly conductive alloys, the negative contact is specially tapered and has memory to maximize contact surface area and to minimize deformity over time. Once installed, contacts are hermetically sealed within the plug.

## Insertion/Extraction Tools

Contacts can be easily replaced “in-the-field” without discarding the entire plug using the Insertion/Extraction Tools. The tools and contact replacements can be ordered through Tesla™ Customer Service at (302) 324-8910.



Figure 1: Hermetically sealed & easily replaceable contacts

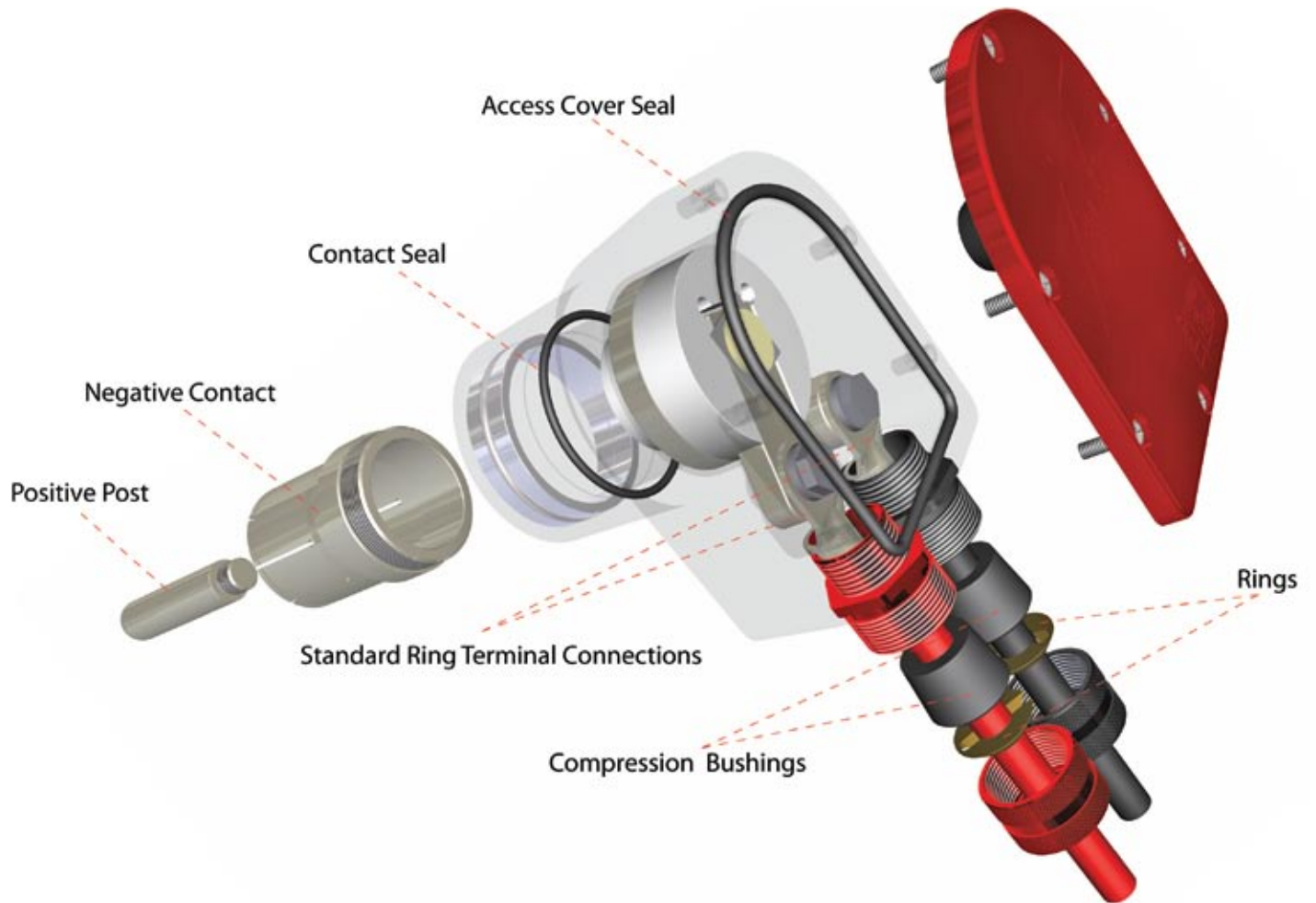


A. Negative Contact: TI2005-121 NSN: 5999-01-525-0582  
B. Positive Post: TI2005-117 NSN: 5935-01-523-8914



C. Negative Insertion/Extraction Tool: TI2005-126  
NSN: 5120-01-523-8761  
D. Positive Insertion/Extraction Tool: TI27000-082  
NSN: 5120-01-527-7729

# Components - Exploded View



Step 1



Step 2



Step 3



Step 4

## Contact Replacement

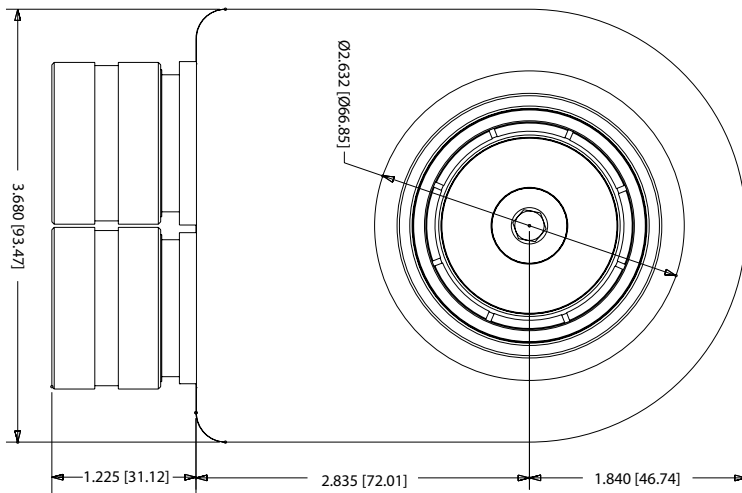
**Step 1:** To remove the positive post, simply insert the Positive Contact Tool and turn counterclockwise.

**Step 2:** To install a new positive post, use the same tool and screw the contact in clockwise.

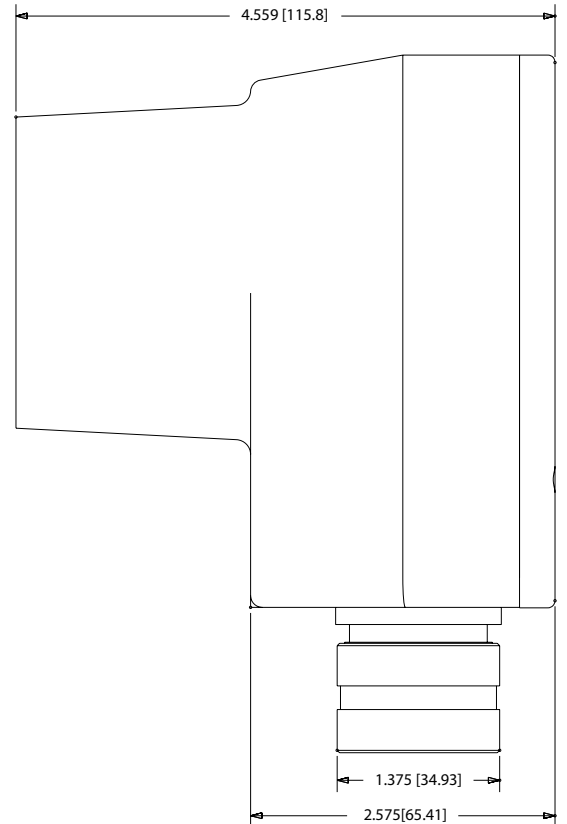
**Step 3:** To remove the negative contact, simply insert the Negative Contact Tool and turn counterclockwise.

**Step 4:** To install a new negative contact, use the same tool and screw the contact in clockwise.

# Dimensions and Technical Specifications

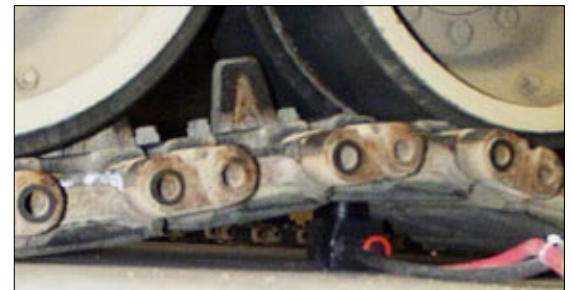


\* All dimensions are in inches [millimeters]



## Technical Specifications:

Number of Contacts	2
Terminal Lugs	3/8-24
Peak Current	3000 A
Storage Temperature	-65 °C - 125 °C (-85 °F - 257 °F)
Operating Temperature	-40 °C - 110 °C (-40 °F - 230 °F)
Air Gap-leakage Path	0.355" (9 mm)
Protection Class	IP28C (tested to 20 m)
Rated Current	1500 A
Rated Voltage	18 - 32 Vdc
Inrush Current (@ 28 Vdc)	3000 A
Dielectric Strength	> 6000 Vdc for 1 min. across contacts
Insulation Resistance	4 GΩ w/1 kV across contacts
Contact Resistance	< 50 μΩ @ 25 °C
Shock	50 G
Vibration	MIL-STD-810
Engagement Torque	45 lbs (20.5 kg)
Weight	3.60 lbs (1.64 kg)
Warranty	2 years (3 years optional)



## Field Tested

To prove its toughness and dependability, the Cobra NATO Plug was subjected to the harshest abuse. The photo above shows the NATO plug can withstand the weight of a 70 ton M1 Abrams tank. Even after this severe punishment, the plug was still fully functional.