

TI2005-147

NATO 2-pin Adapter

NSN: 5935-01-525-5316



Power Anytime, Anywhere

The Tesla™ NATO 2-pin Adapter allows direct interface between the Tesla™ Cobra NATO Plug and the old style 2-pin NATO receptacle. Constructed from a rugged combination of advanced composite materials and corrosion-resistant alloys, the NATO 2-pin Adapter will withstand the harshest battlefield conditions and other extreme environments.

Features:

- Rated to 3000 peak amps
- Splined to ensure a snug fit
- UV, fuel, fungus, oil, and water resistant
- Tested to withstand 50 G of shock
- Exceeds MIL-STD-810
- Manufactured by Tesla™
- 2 Year Warranty



Tesla™ Industries, Inc.
www.teslaind.com ♦ www.tesla1.com
Email: tesla1@teslaind.com
Headquarters: (302) 324-8910
101 Centerpoint Blvd. New Castle, DE 19720
Western Regional Office: (775) 622-8801
9475 Double R Blvd. Suite 2, Reno, NV 89521



The POWER
Of RED™



Features and Benefits

As Original Equipment Manufacturers, we understand the need for superior components to build rugged, reliable equipment that must perform under the harshest conditions. For this reason, each Tesla™ NATO 2-Pin Adapter is manufactured to the strictest safety, quality and performance standards — creating the most reliable connector on the market.

Rugged, Durable, Reliable

Made from virtually indestructible composite materials, the internal insulator won't crack, melt, blister, dry-rot or disintegrate. This, in conjunction with corrosion resistant conductors, insures that the Tesla™ NATO 2-pin Adapter will still be in the field long after other adapters have failed.

Easy On, Easy Off

The Tesla™ Cobra NATO Plug's modular design allows a simple transformation from a standard NATO plug to a 2-pin plug in seconds. — no tools required. Changing the plug back to a standard NATO 24 volt receptacle is just as easy. Simply rotate the adapter to remove.

Highly Conductive Contacts

Manufactured from highly conductive alloys, the center receptacle is specially tapered and has memory to maximize contact surface area and to minimize deformity over time.

Good News for OEMs

With a two-year warranty, Tesla's™ NATO DC Receptacles are reliable, durable, and will easily integrate into your current product configuration. Best of all, they are in stock for immediate delivery. Call Tesla™ Customer Service at (302) 324-8910 for more details on volume pricing.



Figure 1: Profile of the NATO 2-Pin Adapter

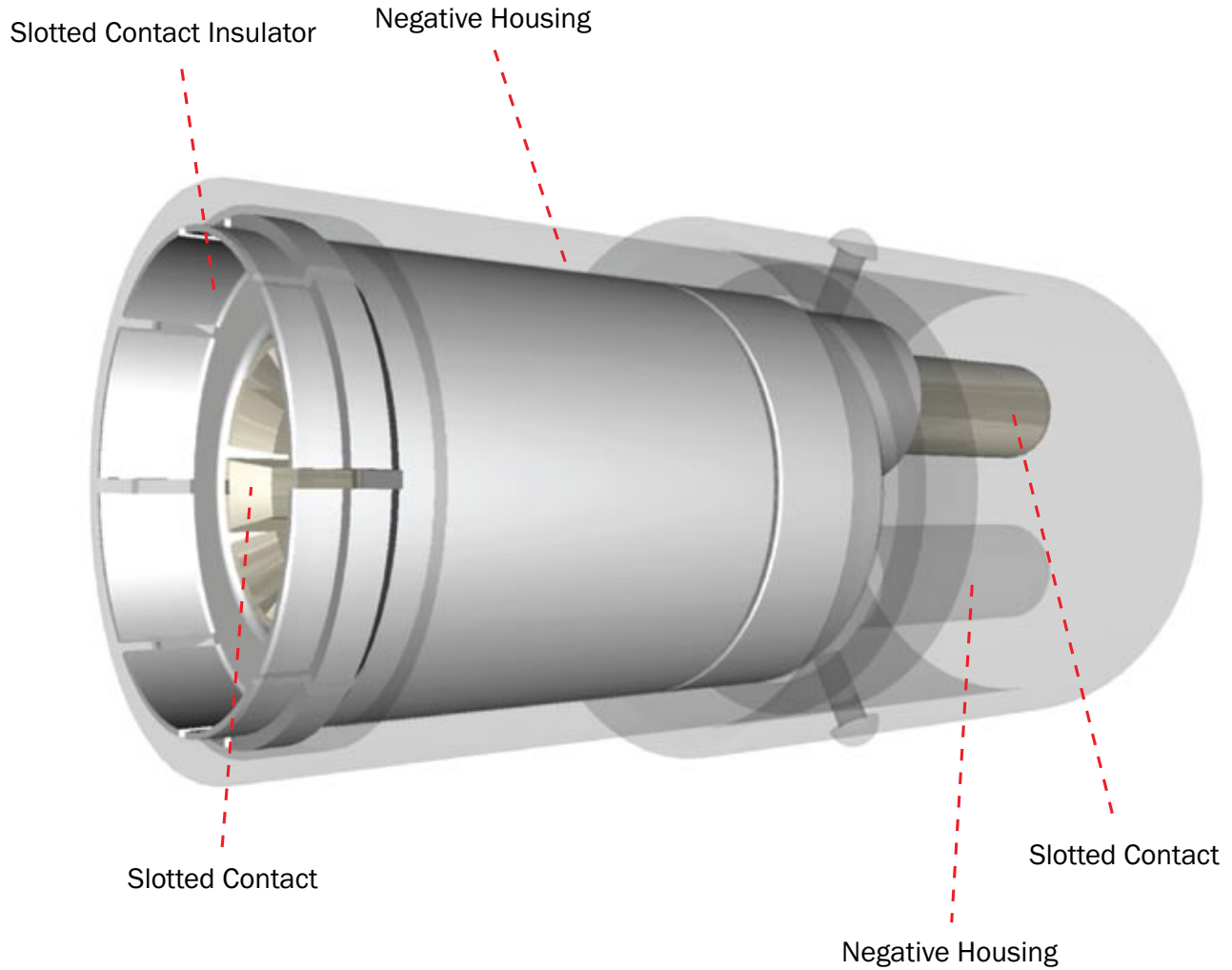


Figure 2: Back and side view of the NATO 2-Pin Adapter



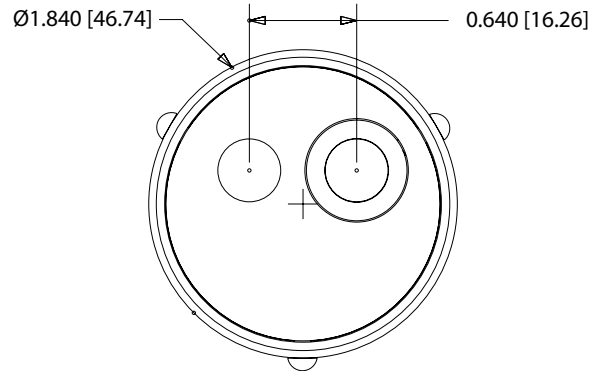
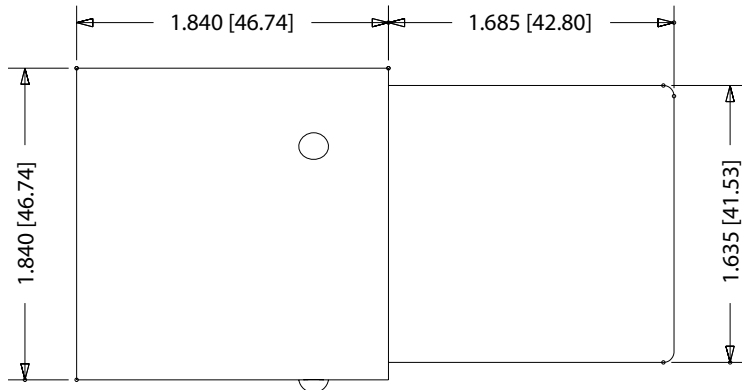
Figure 3: Front view of the NATO 2-Pin Adapter

Components - Exploded View

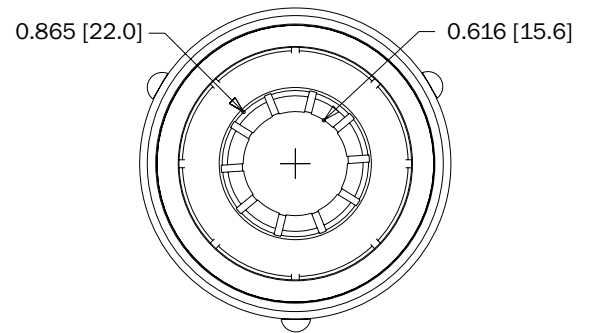


The Tesla™ Cobra NATO Plug's modular design allows a simple transformation from a standard NATO plug to a 2-pin plug in seconds. To order the NATO 2-pin Adapter or the Cobra NATO Plug (TI2005-078) call Tesla™ Customer Service at (302) 324-8910.

Dimensions and Technical Specifications



* All dimensions are in inches [millimeters]



Technical Specifications:

Number of Contacts	2
Peak Current	3000 A
Storage Temperature	-65 °C - 125 °C (-85 °F - 257 °F)
Operating Temperature	-40 °C - 110 °C (-40 °F - 230 °F)
Air Gap-leakage Path	0.200" (5 mm)
Protection Class	IP25A
Rated Current	1500 A
Rated Voltage	18 - 32 Vdc
Inrush Current (@ 28 Vdc)	3000 A
Dielectric Strength	> 6000 Vdc for 1 min. across contacts
Insulation Resistance	4 GΩ w/1 kV across contacts
Contact Resistance	< 60 μΩ @ 25 °C
Shock	50 G
Vibration	MIL-STD-810
Engagement Torque	45 lbs (20.5 kg)
Weight	1.15 lbs (.52 kg)
Warranty	2 years (3 years optional)

