

# TI2005-238

## Cobra DC Aviation Plug



Power Anytime, Anywhere

The Tesla™ Cobra DC Aviation Plug is constructed from a rugged combination of advanced composite materials and corrosion-resistant alloys. The result is a weatherproof aviation plug that will withstand battlefield conditions and other extreme environments. Along with highly conductive contact materials, the virtually indestructible design and fast “in-the-field” component replacement make it the last DC aviation plug you will ever need.

### Features:

- Rated to 3000 peak amps
- Military Standard MS25488
- Clamped cable connections
- UV, fuel, fungus, and oil resistant
- Easy component replacement
- Manufactured by Tesla™
- Exceeds MIL-STD-810
- Tested to withstand 50 G of force



**Tesla™ Industries, Inc.**  
www.teslaind.com ♦ www.tesla1.com  
Email: tesla1@teslaind.com  
**Headquarters:** (302) 324-8910  
101 Centerpoint Blvd. New Castle, DE 19720  
**Western Regional Office:** (775) 622-8801  
9475 Double R Blvd. Suite 2, Reno, NV 89521



The **POWER**  
of  
**RED**™



# Features and Benefits

## Weatherproof Construction

Through a series of strategically placed seals and bushings, the Cobra™ DC Aviation Plug is hermetically sealed to lock out rain, snow, sand and other harmful debris.

---

## Internal Cable Connections

Unlike plugs with cables that are molded directly to the housing, easily accessible lugs allow for direct termination inside of the plug. Additionally, compression grommets and bushings provide strain relief. This unique combination of protection eliminates dangerous shocks from exposed wiring due to cable stretching and splicing.

---

## Rugged, Durable, Reliable

Made from virtually indestructible composite materials, the plug housing won't crack, melt, blister, dry-rot or disintegrate. This, in conjunction with corrosion resistant conductors, this insures that the Cobra™ DC Aviation Plug will still be in the field long after other plugs have failed.

---

## Replaceable Contacts

Manufactured from highly conductive alloys, the negative contact is specially tapered and has memory to maximize contact surface area and to minimize deformity over time. Once installed, contacts are hermetically sealed within the plug.

---

## Insertion/Extraction Tools

Contacts and replaceable nose can be easily replaced “in-the-field” without discarding the entire plug using the Insertion/Extraction Tools. The tools and contact replacements can be ordered through Tesla™ Customer Service at (302) 324-8910.



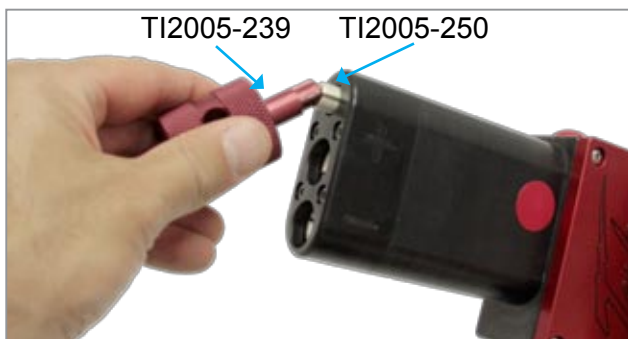
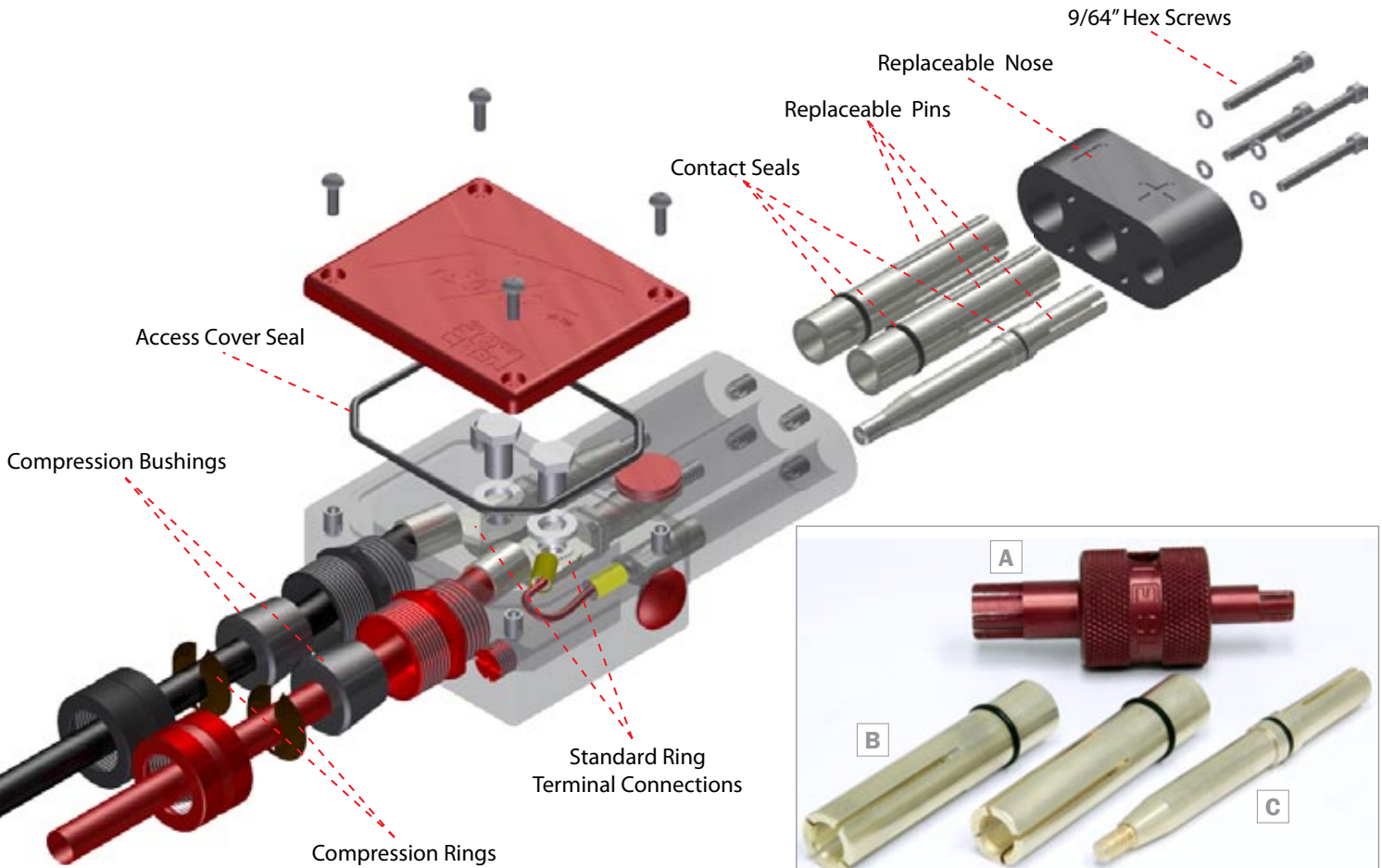
Replaceable Nose: TI2004-341



### REPLACING NOSE:

1. Remove screws using 9/64" hex key turning counterclockwise.
2. Put aside the screws and lock washers.
3. Line up and insert new Replaceable Nose ([TI2004-341](#)). Make sure the flat side is against the plug, curved side facing out.
4. Screw in the four screws clockwise.

# Components - Exploded View



## REPLACING CONTROL PIN:

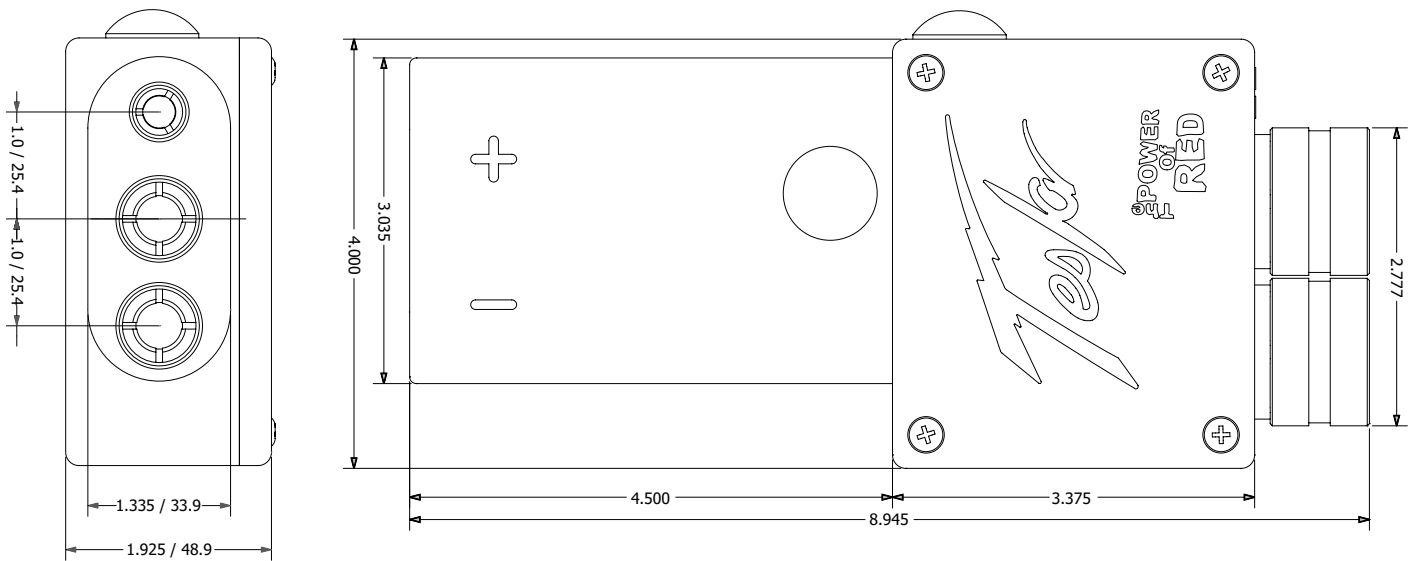
1. Use Insertion/Extraction Tool (TI2005-239) using the smaller end to remove the pin by inserting and turning counterclockwise.
2. Apply the Silicone Compound (TI6000-367) to the male threads of the replacement pin.
3. Install new pin (TI2005-250) using same tool and screw in the clockwise.



## REPLACING POWER PIN:

1. Use Insertion/Extraction Tool (TI2005-239) using the larger end to remove the pin by inserting and turning counterclockwise.
2. Apply the Silicone Compound (TI6000-367) to the male threads of the replacement pin.
3. Install new pin (TI2005-251) using same tool and screw in the clockwise.

# Dimensions and Technical Specifications



\* All dimensions are in inches [millimeters]

## Technical Specifications:

Terminal Lugs Stud Size	3/8"
Military Standard	MS25488
Storage Temperature	-65 °C - 125 °C (-85 °F - 257 °F)
Operating Temperature	-40 °C - 110 °C (-40 °F - 230 °F)
Rated Current	1500 A Continuous
Rated Voltage	18 - 32 VDC
Dielectric Strength	> 6000 VDC for 1 min. across contacts
Insulation Resistance	4 GΩ w/1 kV across contacts
Contact Resistance	< 60 μΩ @ 25 °C
Shock	50 G
Vibration	MIL-STD-810
Weight	2.72 lbs (1.24 kg)
Warranty	2 years (3 years optional)

