

TI2005-852 Cobra NATO Receptacle 15° Wall Mount Assembly



Power Anytime, Anywhere

The Tesla™ Cobra NATO Receptacle 15° Wall Mount Assembly is the only choice if you are looking for a high-quality NATO DC receptacle. The TI2005-852 is constructed from a rugged combination of advanced composite materials and corrosion-resistant alloys for maximum conductivity and durability. The result is a NATO receptacle that will withstand the harshest conditions and other extreme environments. Tesla's in-house manufacturing means our receptacles are always in stock and available for immediate delivery. The TI2005-852 is designed to fit an 1½" conduit, and mount easily to a wall. A custom adapter is available to fit any conduit up to an 1½".

Features:

- Rated to 3000 peak amps
- UV, fuel, fungus, oil, and water resistant
- Tested to withstand 50 G of shock
- Exceeds MIL-STD-810
- Manufactured by Tesla™
- Easily mounts to a wall
- 2 Year Warranty



Tesla™ Industries, Inc.

www.teslaind.com ♦ www.tesla1.com

Email: tesla1@teslaind.com

Headquarters: (302) 324-8910

101 Centerpoint Blvd. New Castle, DE 19720

Western Regional Office: (775) 622-8801

9475 Double R Blvd. Suite 2, Reno, NV 89521



The POWER
Of RED™



Features and Benefits

As Original Equipment Manufacturers, we understand the need for superior components to build rugged, reliable equipment that must perform under the harshest conditions. For this reason, each Tesla™ Cobra NATO Receptacle 15° Wall Mount Assembly is manufactured to the strictest safety, quality and performance standards – creating the most reliable connector on the market.

Rugged, Durable, Reliable

Made from virtually indestructible composite materials, the receptacle housing won't crack, melt, blister, dry-rot or disintegrate. This, in conjunction with corrosion resistant conductors, insures that the Tesla™ DC Battery Receptacle will still be in the field long after other receptacles have failed.

Highly Conductive Contacts

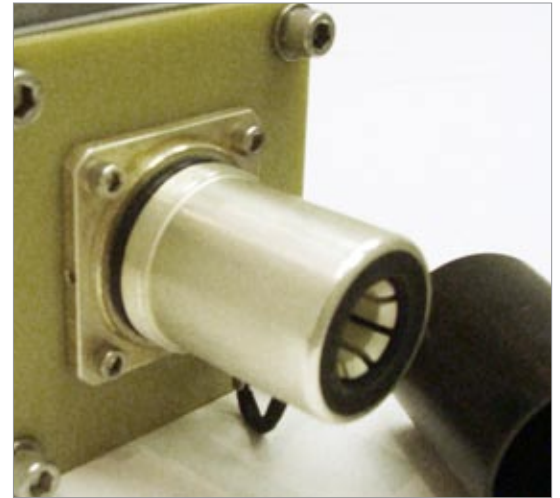
The Tesla™ Nato DC Receptacle is manufactured from highly conductive alloys. The center receptacle is specially tapered and has memory to maximize contact surface area and to minimize deformity over time.

Weatherproof Construction

The Tesla™ Cobra NATO Receptacle 15° Wall Mount Assembly includes a durable cap tethered with a corrosion resistant lanyard. The cap, along with the cap seal at the base of the receptacle, protect the receptacle from rain, snow, sand and other harmful debris.

Conduit Fittings

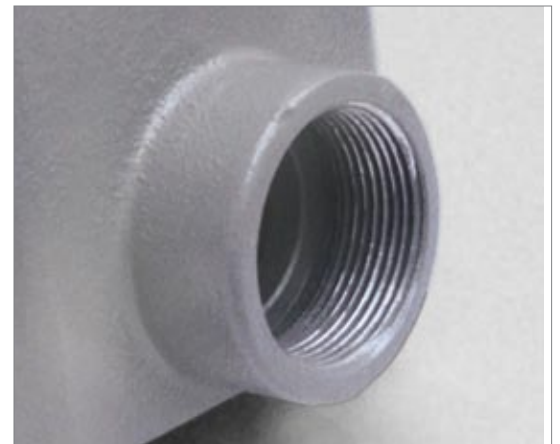
The Receptacle housing is designed with an inch and a half conduit fitting. A custom adapter is available for any size up to an inch and half.



Tesla™ NATO DC Receptacle

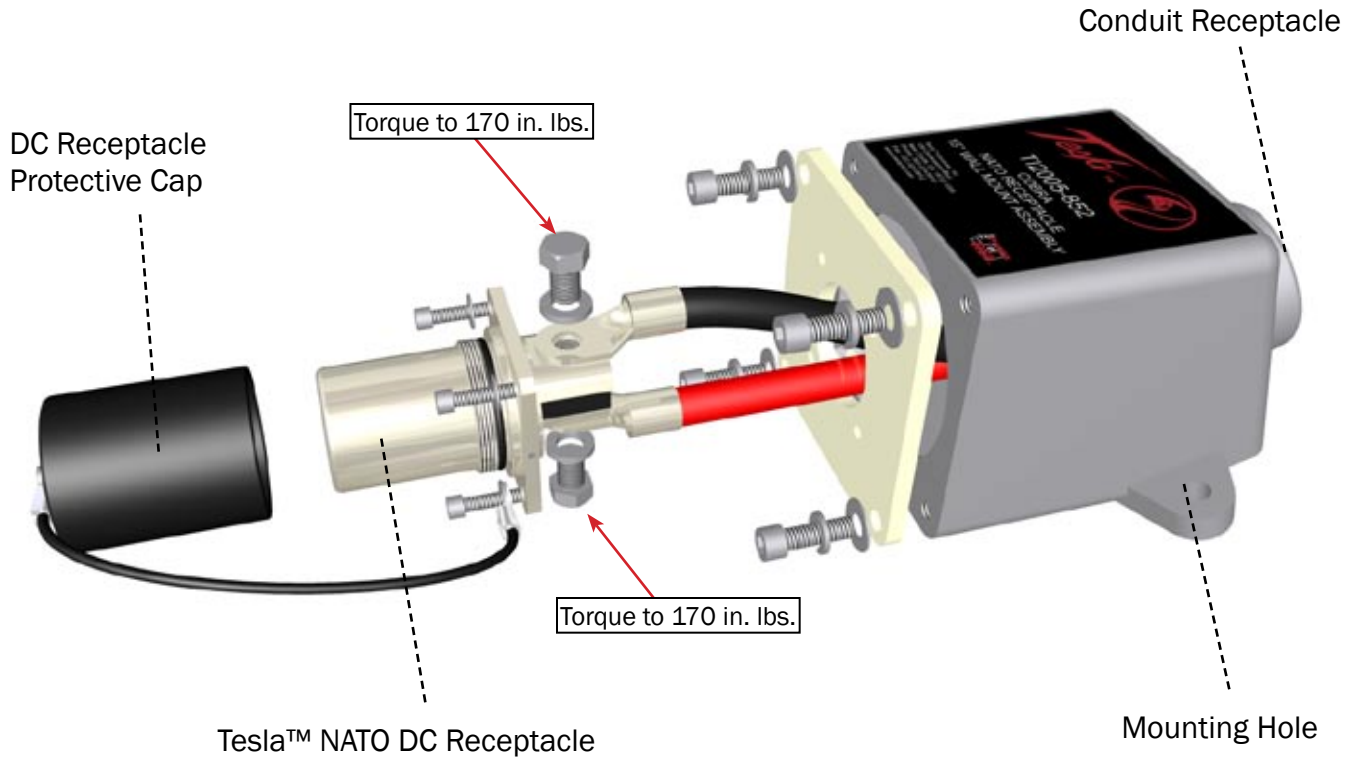


Tesla™ Receptacle Weather-proof cap



Tesla™ Receptacle Conduit Fitting

Components - Exploded View



Attaching a NATO plug to the Tesla™ NATO Receptacle Wall Mount Assembly is quick and easy.

Step 1: line up the plug with the receptacle. **Step 2:** push forward on plug till it is fully seated on the NATO Receptacle.

Step 3: The unit is now ready to safely transfer 3000 Amps.

Step 1



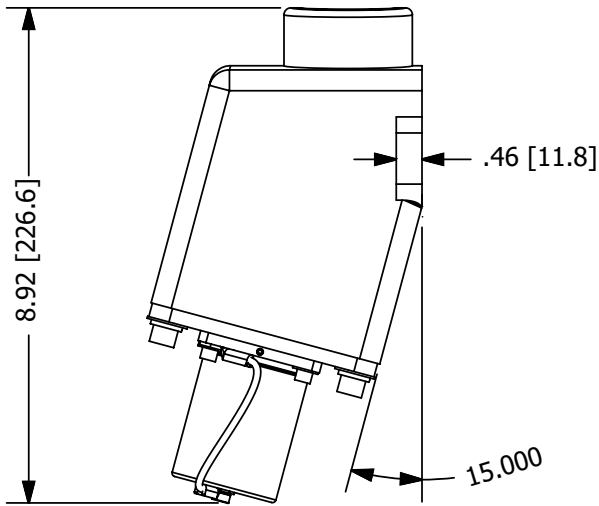
Step 2



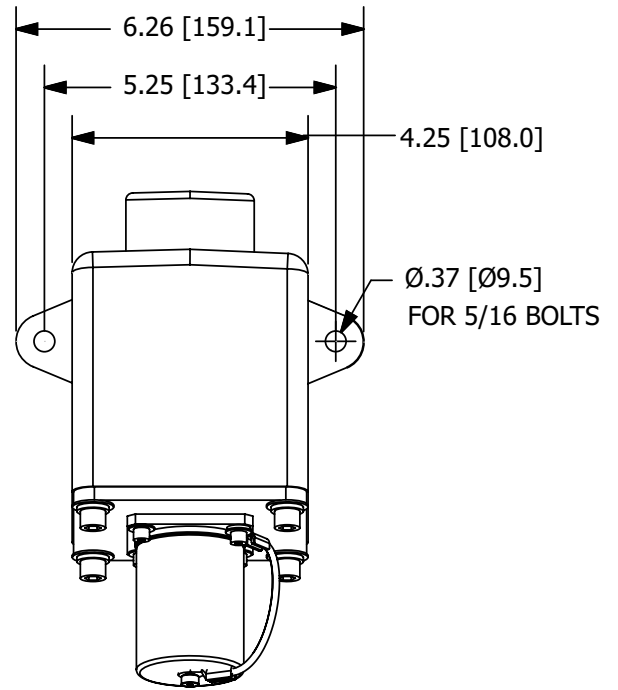
Step 3



Dimensions and Technical Specifications



* All dimensions are in inches [millimeters]



Technical Specifications:

Number of Contacts	2
Terminal Lugs	3/8-24
Mounting Hardware	10-24 or M5
Peak Current	3000 A
Storage Temperature	-65°C - 125°C (-85°F - 257°F)
Operating Temperature	-40°C - 110°C (-40°F - 230°F)
Air Gap-leakage Path	0.315" (8 mm)
Protection Class	IP28C (when properly mounted)
Rated Current	1500 A
Rated Voltage	18 - 32 Vdc
Inrush Current (@ 28 Vdc)	3000 A
Dielectric Strength	> 6000 Vdc for 1 min. across contacts
Insulation Resistance	4 GΩ w/1 kV across contacts
Contact Resistance	< 60 μΩ @ 25°C
Shock	50 G
Vibration	Exceeds MIL-STD-810
Weight	4.57 lbs (2.07 kg)
Warranty	2 years (3 years optional)

THREADED FOR 1 1/2" CONDUIT

