

TI2005-925 Battery Receptacle Dust Cover

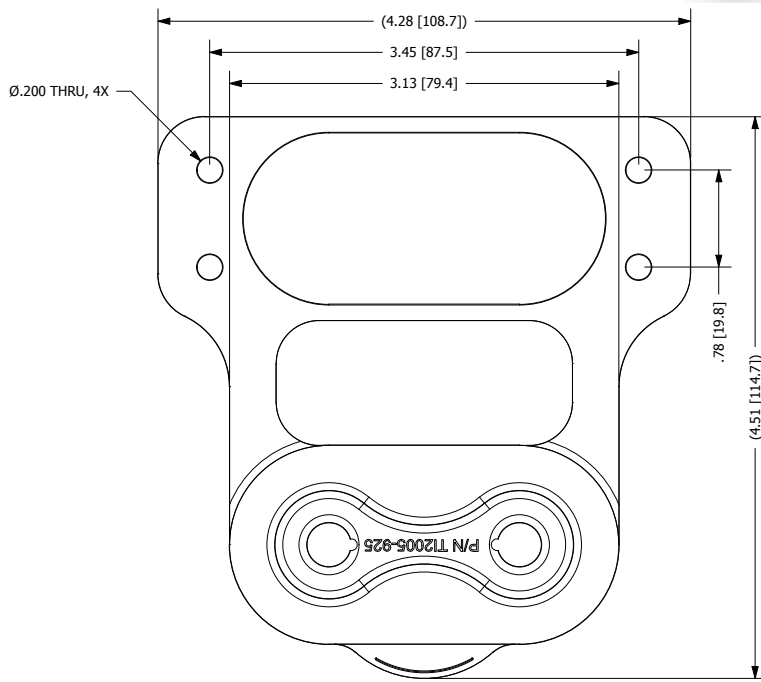
The Tesla™ DC Battery Receptacle Dust Cover is constructed from a rugged combination of advanced composite materials and corrosion-resistant alloys. The Tesla™ DC Battery Receptacle Dust Cover provides a reliable protection to our any of our DC Battery Receptacles.



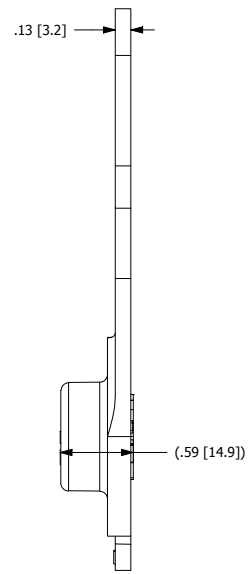
Power Anytime, Anywhere

Features:

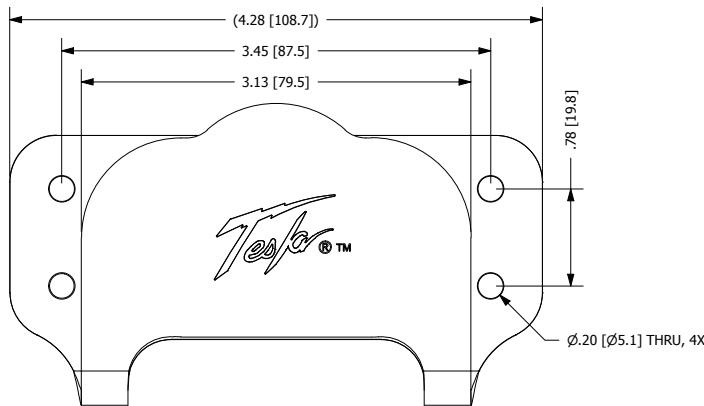
- UV, fuel, fungus, and oil resistant
- Easy replacement
- Mounting reinforcements
- Manufactured in-house
- 2 Year Warranty



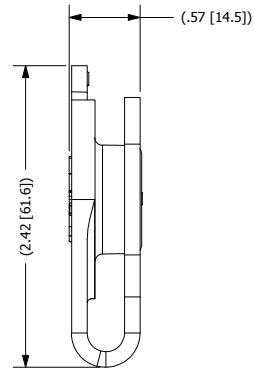
OPEN - FRONT VIEW



OPEN - SIDE VIEW



CLOSED - FRONT VIEW



CLOSED - SIDE VIEW

* All dimensions are in inches [millimeters]